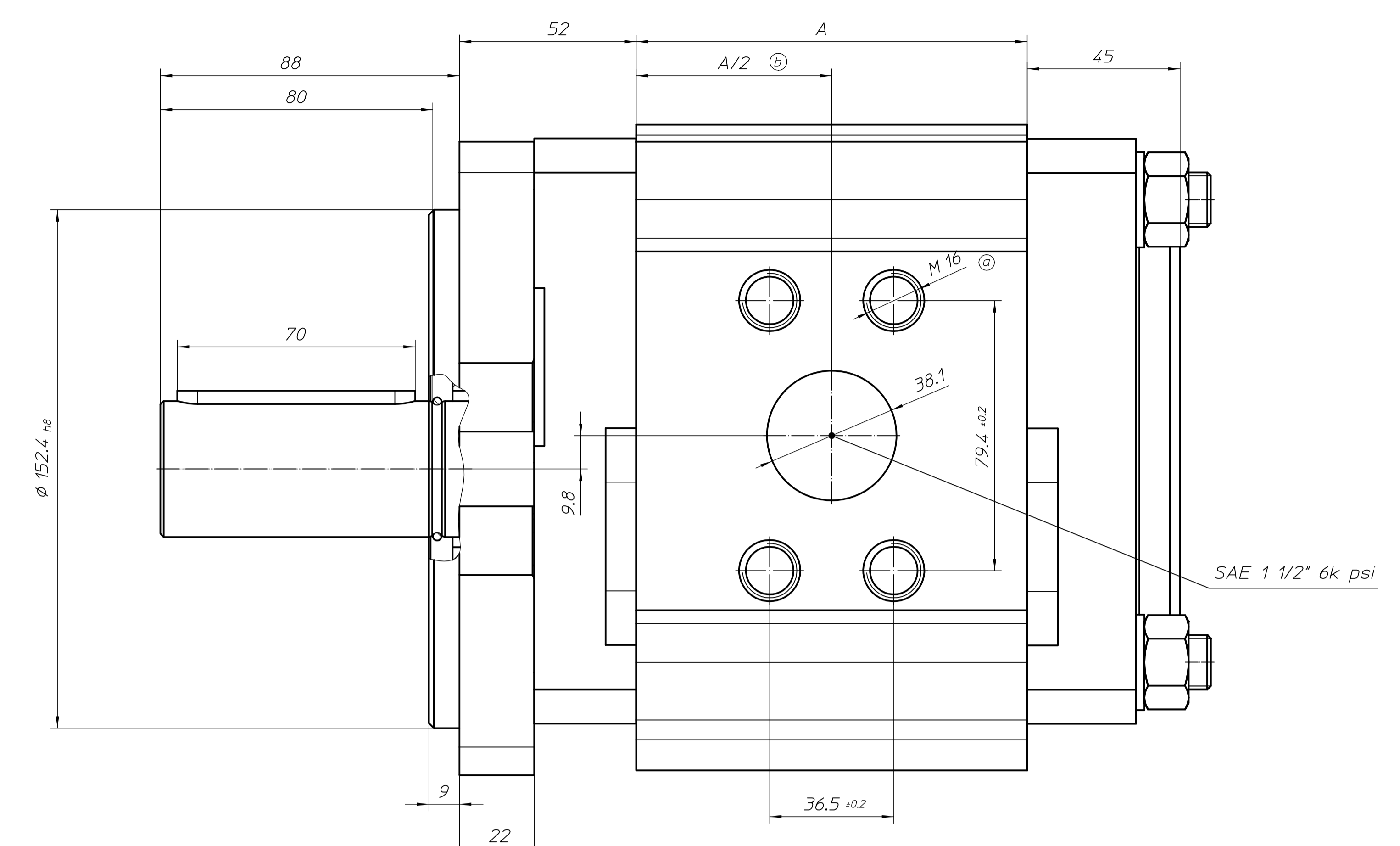
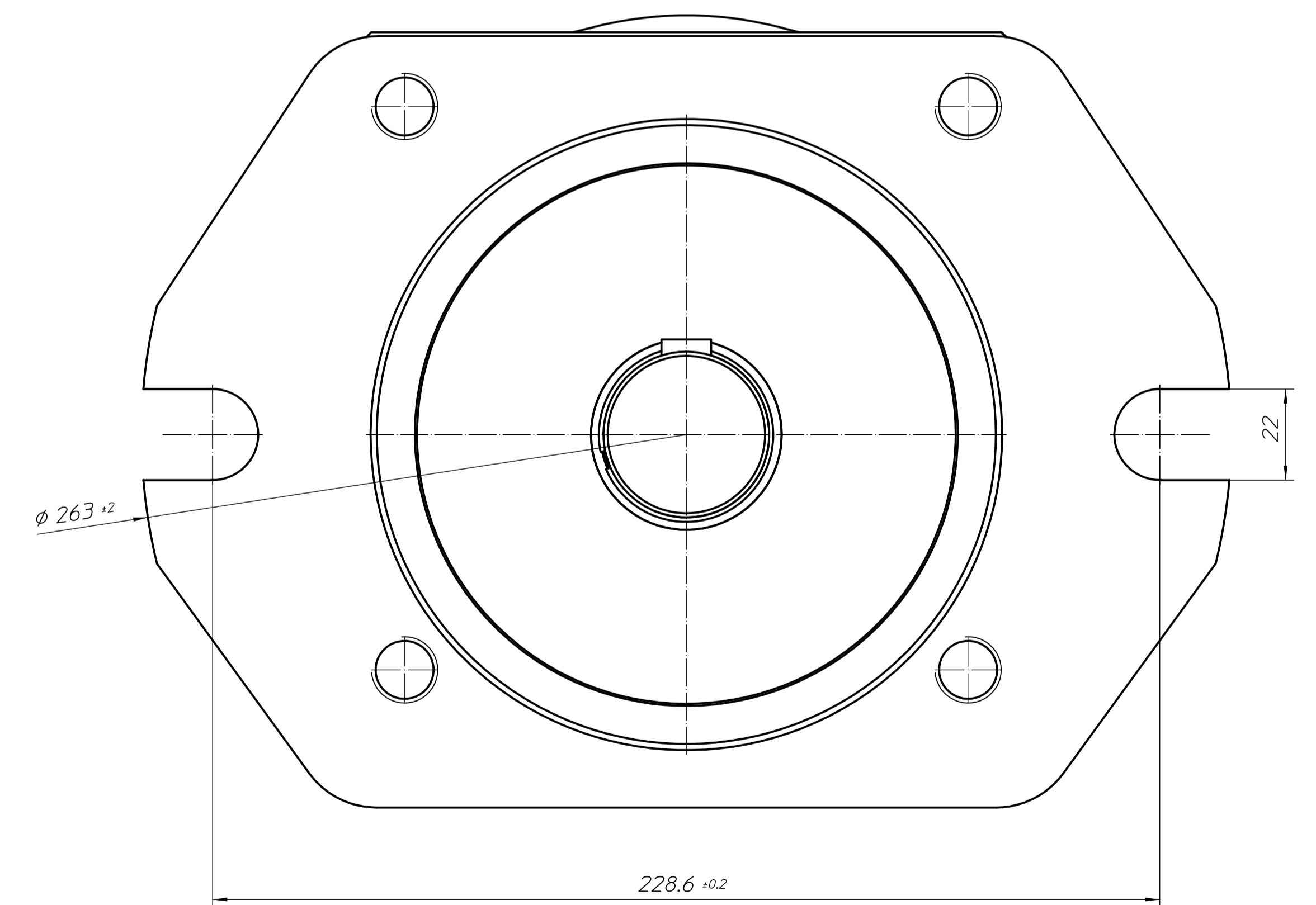
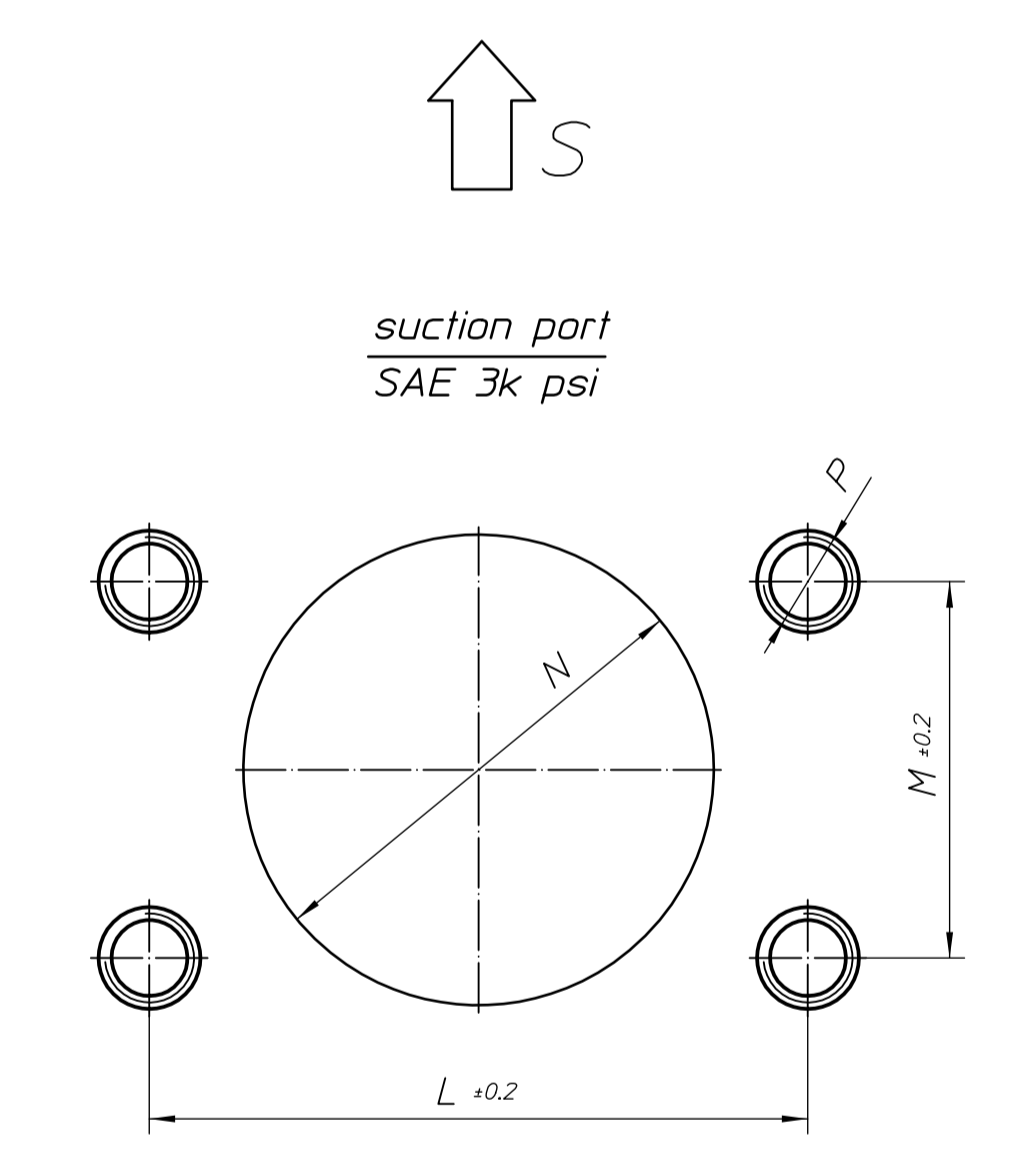
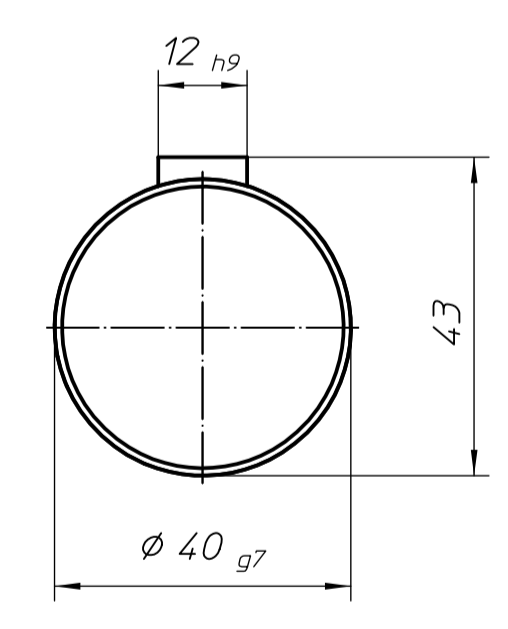


Drehrichtung
rotation



Wellenende
shaft end



NG	A	L	M	N	P
125	115	88.9	50.8	63.5 (2.5")	M12
160	136	106.4	61.9	76.2 (3.0")	M16
200	161	120.7	69.9	88.9 (3.5")	M16
250	191	120.7	69.9	88.9 (3.5")	M16

Bestellbezeichnung:
ordering code:

EIPC6-xxxRA23-1x

add size

Paßmaß		Verwendungsbereich EIPC6	Mafße ohne Toleranz n. ISO 2768mK	Obertafelche DIN ISO 1302	Maßstab 1:1 Werkstoff	Gewicht
Abmaß		Datum Bearb.: 11.02.08 Über.: 20.02.08 Nam:	Name Flüpp Hückler	Benennung MB EIPC6-xxxRA23-1x		
<small>All rights concerning the drawings and the inventions, know how, technical solutions and designs embodied in the drawings are owned by Eckerle Technologies GmbH ("Eckerle"). The drawings and the contents embodied therein shall be treated confidential and shall only be used for the purpose expressly confirmed by Eckerle in writing. The disclosure to third parties requires a prior written approval by Eckerle.</small>						
<small>1) ab 18/140 11.02.08 Rat 1) ab 12/040 03.02.08 Kates 1) ab 10/194 01.02.08 Kates</small>		<small>Eckerle Technologies GmbH Olo Eckerle Straße 12a 76316 Malsch Germany</small>		<small>Zeichnungs-Nr.: 6900600012</small>		<small>Blatt</small>
<small>© Eckerle Technologies GmbH.</small>						<small>ersetzt:</small>