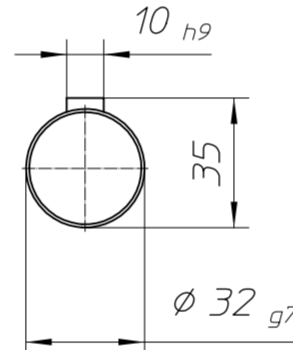


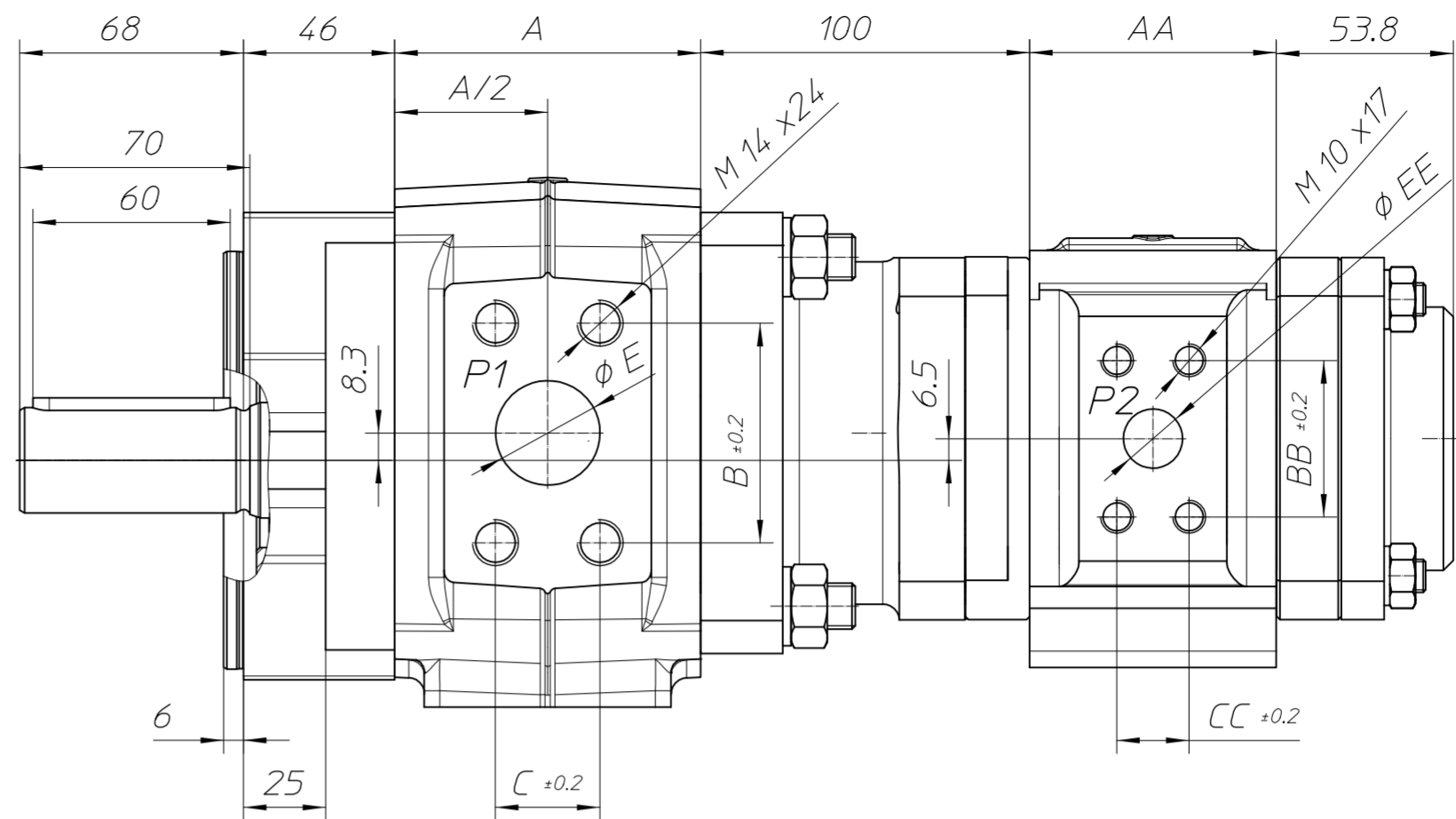
Wellenende  
shaft end



Bestellbezeichnung:  
ordering code:

EIPH5-xxxSK23-1x+  
EIPH3-xxxRP36-1x

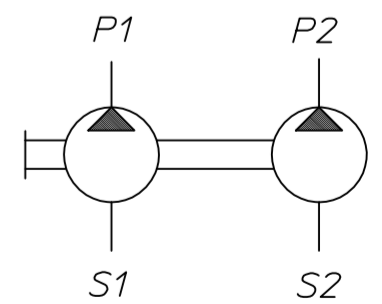
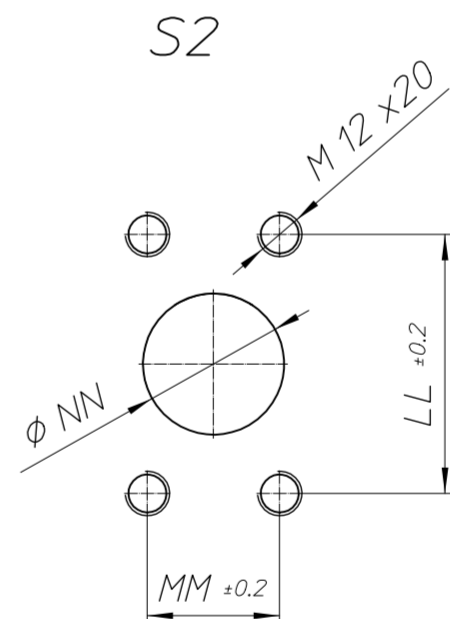
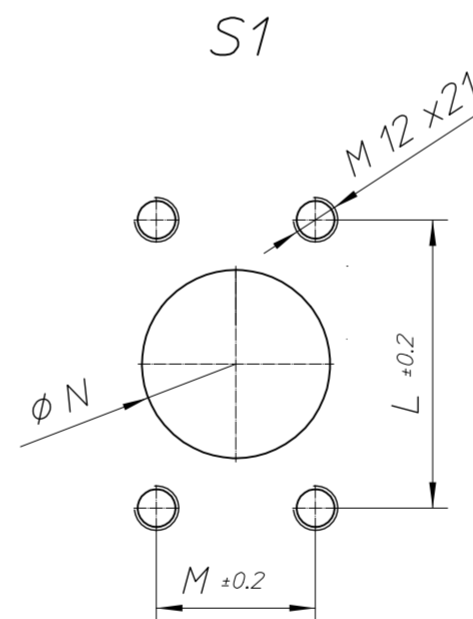
add size



S1

S2

Sauganschluss S  
suction port S



EIPH5								
NG	A	B*	C*	D	E	L**	M**	N
040	61	57.2	27.8	M12x24	25.4	77.8	42.9	51
050	69	57.2	27.8	M12x24	25.4	77.8	42.9	51
064	81	57.2	27.8	M12x24	25.4	77.8	42.9	51
080	93	66.7	31.8	M14x24	31.75	77.8	42.9	51
100	109	66.7	31.8	M14x24	31.75	88.9	50.8	63.5

EIPH3								
NG	AA	BB	CC	EE	FF	LL	MM	NN
025	65	47.5	22	18	64	69.9	35.7	40
032	75	47.5	22	18	64	69.9	35.7	40
040	86	52.4	26.2	20	70	77.8	42.9	51
050	100	52.4	26.2	20	70	77.8	42.9	51
063	118	52.4	26.2	25.4	70	77.8	42.9	51

\* Druckanschlussflansche nach SAEJ518, Hochdruckreihe (code62)  
 \* Pressure port SAEJ518, high pressure series (code62)  
 \*\* Sauganschlussflansche nach SAEJ518, Standarddruckreihe (code61)  
 \*\* suction port SAEJ518, standard pressure series (code 61)

Paßmass					Verwendungsbereich EIPH5	Maße ohne Toleranz n. ISO 2768-mK-E	Oberflaeche DIN ISO 1302	Maßstab 1:2 Werkstoff	Gewicht
Abmaß						Datum 29.04.21 Bearb. 18.05.21 Gspr. Norm	Name Rapp Bellermann	Benennung MB EIPH5-xxxSK23-1x+ EIPH3-xxxRP36-1x	
All rights concerning the drawings and the inventions, know how, technical solutions and designs embodied in the drawings are owned by Eckerte Technologies GmbH ("Eckerte"). The drawings and the contents embodied therein shall be treated confidential and shall only be used for the purpose expressly confirmed by Eckerte in writing. The disclosure to third parties requires a prior written approval by Eckerte.						Eckerte Technologies GmbH Otto Eckerte Straße 12a 76316 Malsch Germany		Zeichnungs-Nr.: 6900500050	Blatt BL
/ oe 21/048 Zust. Änderung Datum Name						29.04.21 Rapp		ersetzl:	11 12