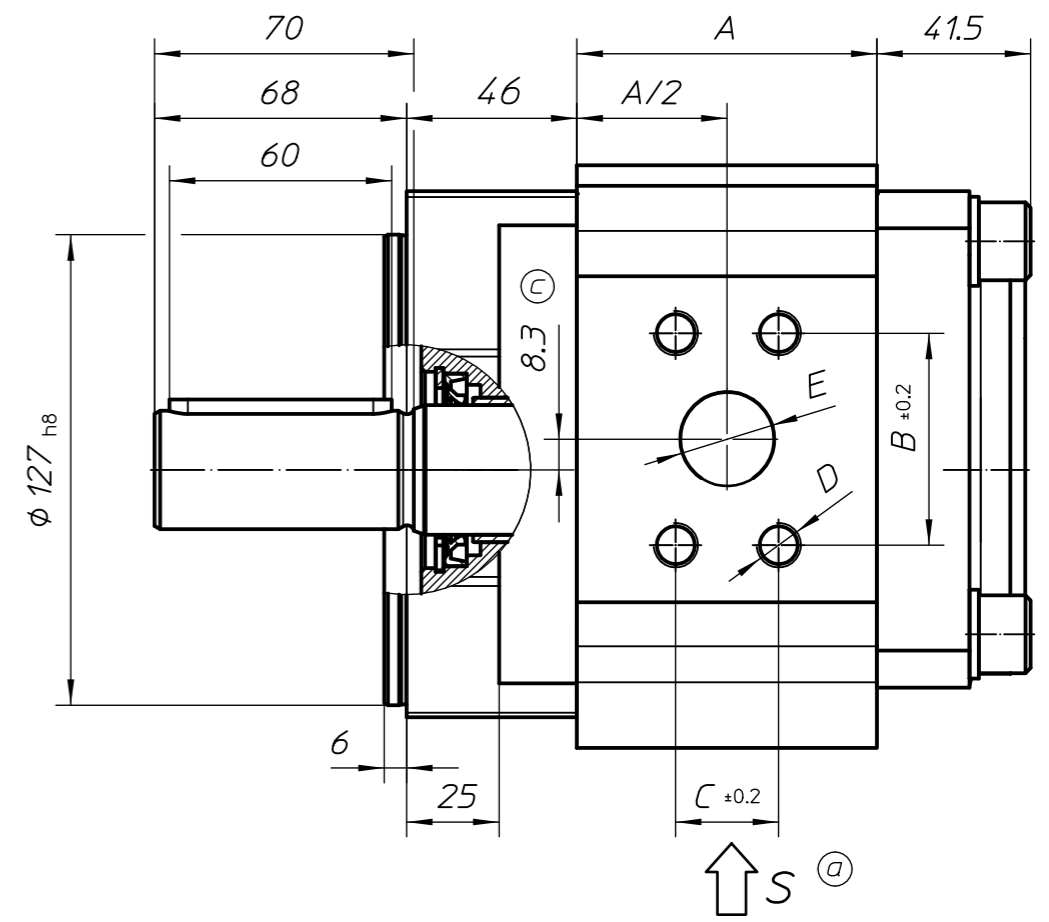
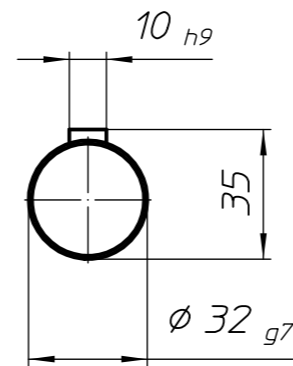
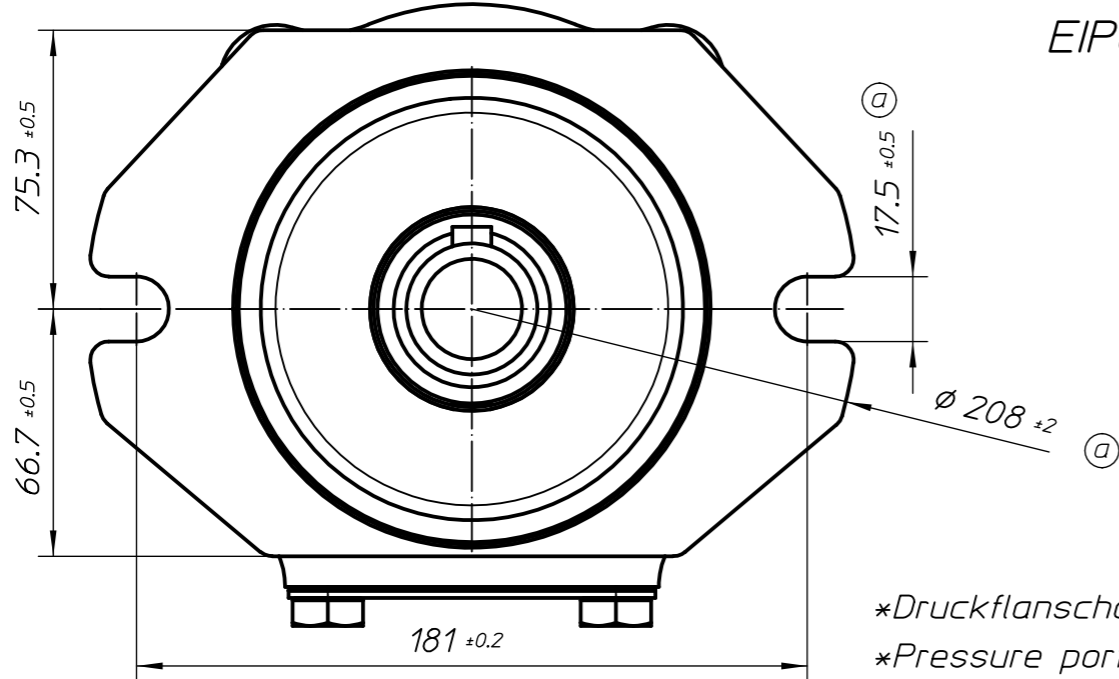


Wellenende
shaft end



Drehrichtung
rotation

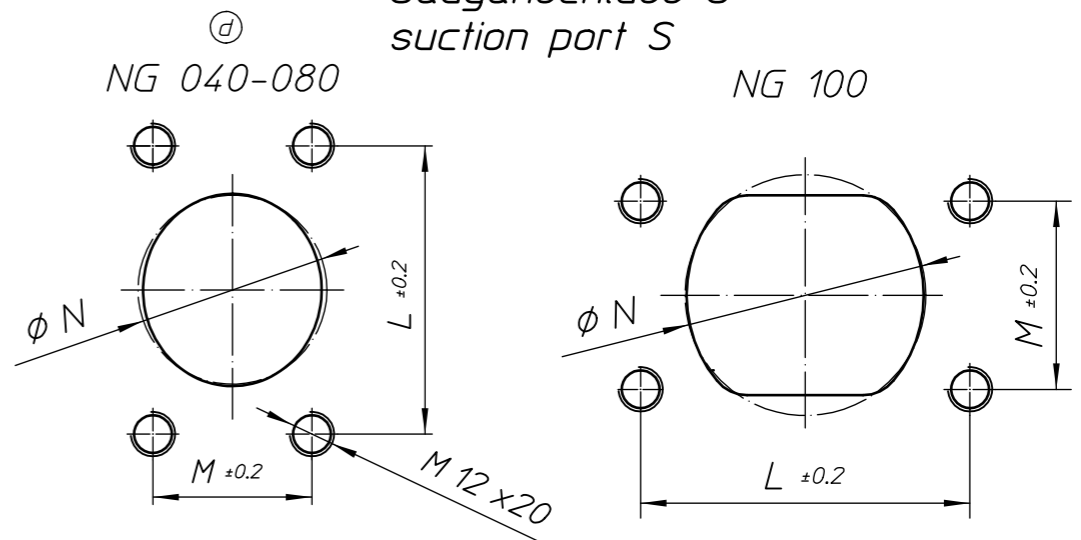


Bestellbezeichnung:
ordering code:

EIPC5-xxxRA23-1x

NG einfügen
add size

Sauganschluss S
suction port S



*Druckflanschanschlüsse nach SAE 518C, Hochdruckreihe (code 62)
*Pressure port: SAE 518C, high pressure series (code 62)

| NG | A | B | C | D | E | L | M | N |
|-----|-----|-------|-------|------------|-------|------|------|------|
| 040 | 61 | 57,2* | 27,8* | M12;22tief | 25,4 | 77,8 | 42,9 | 51 |
| 050 | 69 | 57,2* | 27,8* | M12;22tief | 25,4 | 77,8 | 42,9 | 51 |
| 064 | 81 | 57,2* | 27,8* | M12;22tief | 25,4 | 77,8 | 42,9 | 51 |
| 080 | 93 | 66,7* | 31,8* | M14;24tief | 31,75 | 77,8 | 42,9 | 51 |
| 100 | 109 | 66,7* | 31,8* | M14;24tief | 31,75 | 88,9 | 50,8 | 63,5 |

| | | | | | | | | | | |
|--|--|--|--|--|--|-----------------------------|--|-------------------------------|---|---------|
| Paßmass | | | | | | Verwendungsbereich EIPC5 | Maße ohne Toleranz n. ISO 2768mK | Oberfläche DIN ISO 1302 | Maßstab 1:2 Werkstoff | Gewicht |
| Abmaß | | | | | | | Datum Bearb.: 30.08.16 Gepr.: 06.10.20 | Name Rapp Rapp | Benennung MB EIPC5-xxxRA23-1x | |
| All rights concerning the drawings and the inventions, know how, technical solutions and designs embodied in the drawings are owned by Eckerle Technologies GmbH ("Eckerle"). The drawings and the contents embodied therein shall be treated confidential and shall only be used for the purpose expressly confirmed by Eckerle in writing. The disclosure to third parties requires a prior written approval by Eckerle. © Eckerle Technologies GmbH. | | | | | | 3 d. ae 20/101 | 01.10.20 | Krahn | Zeichnungs-Nr.: 6900500006 | |
| | | | | | | 2 c. ae 19/023 | 25.03.19 | Rapp | | |
| | | | | | | 7 a. ae 12/007 | 09.01.12 | Krahn | Eckerte Technologies GmbH Otto Eckerte Straße 12a 76316 Malsch Germany | |
| | | | | | | 1. ae 10/111 | 05.08.10 | nherlens | eretzt: | |
| | | | | | | Zust. | Änderung | Datum | Name | |