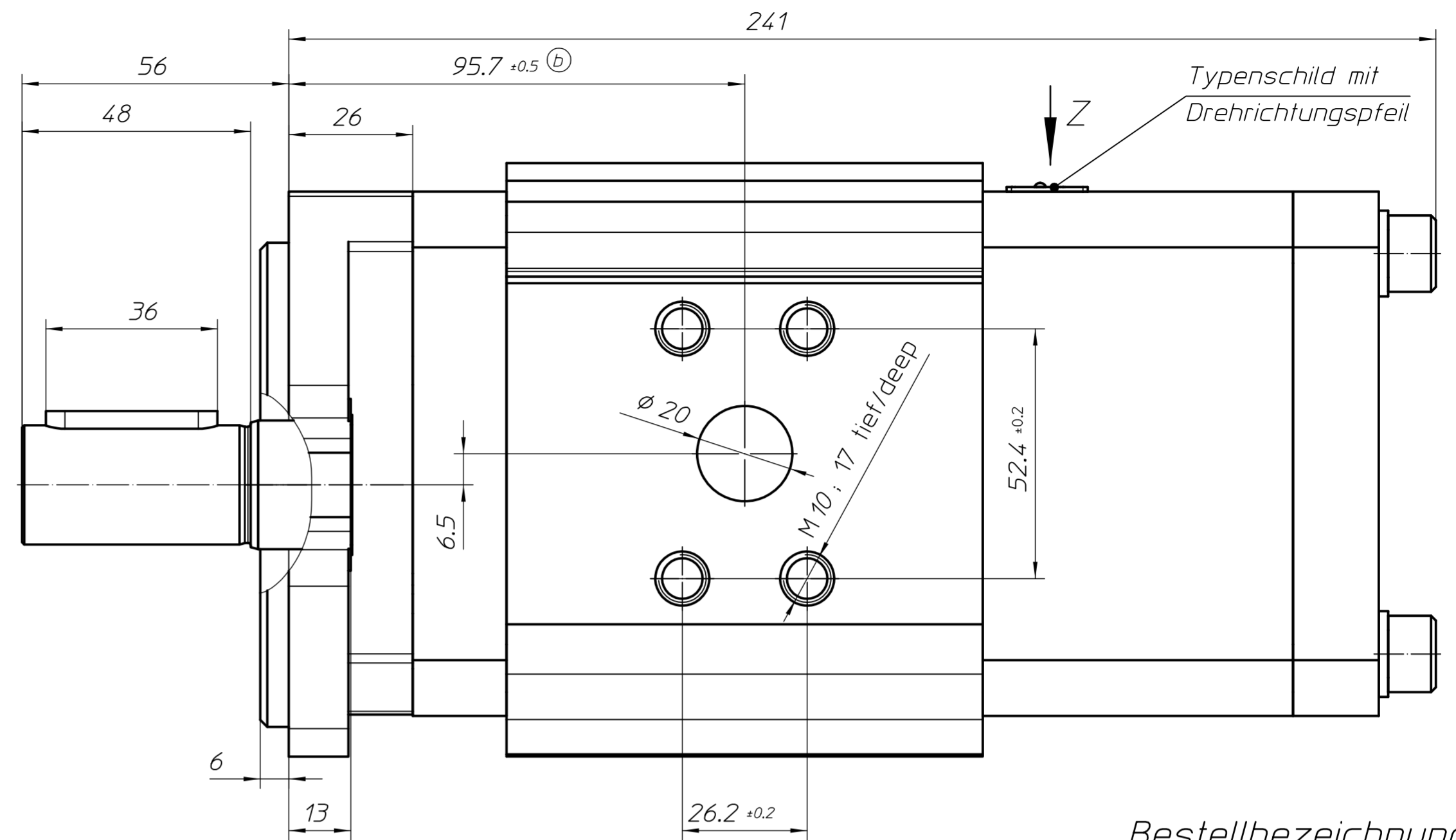
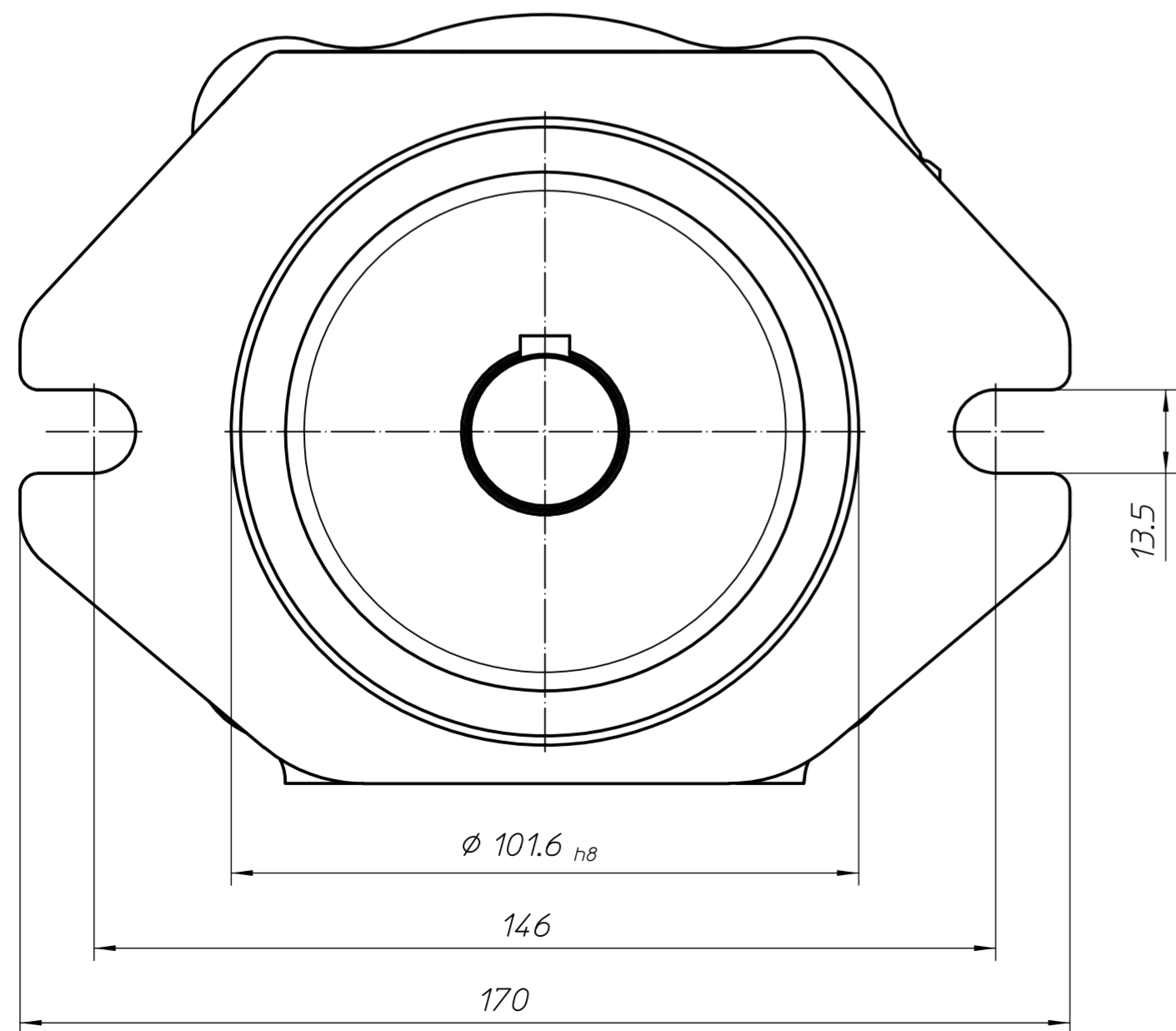
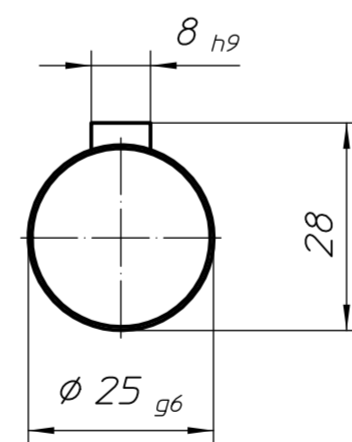


Drehrichtung
rotation

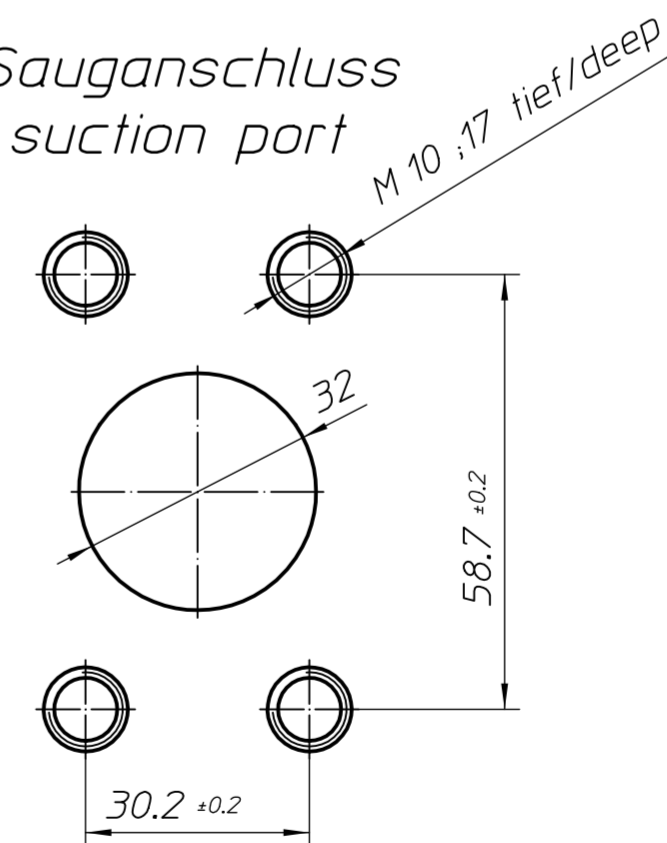


S

Wellenende
shaft end



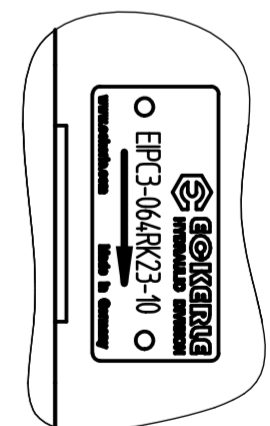
Sauganschluss
suction port



Bestellbezeichnung:
ordering code:

EIPC3-064RA23-1x
article No.
60 00 30 0131

Ansicht Z:



Paßmass					Verwendungsbereich EIPC3	Maße ohne Toleranz n. ISO 2768mK	Oberfläche DIN ISO 1302	Maßstab 1:1 Werkstoff	Gewicht	
Abmaß						Datum Bearb.: 26.09.17 Gep.: 24.11.17 Norm:	Name Rapp Bellermann	Benennung MB EIPC3-064RA23-1x		
<small>All rights concerning the drawings and the inventions, know how, technical solutions and designs embodied in the drawings are owned by Eckerte Technologies GmbH ('Eckerte'). The drawings and the contents embodied therein shall be treated confidential and shall only be used for the purpose expressly confirmed by Eckerte in writing. The disclosure to third parties requires a prior written approval by Eckerte.</small> © Eckerte Technologies GmbH.						6 b; ae 17/081 1 a; ae 10/018 1; ae 10/009	26.09.17 27.01.10 18.01.10	Rapp Rapp Rapp	Zeichnungs-Nr.: 6900300102	Blatt 11